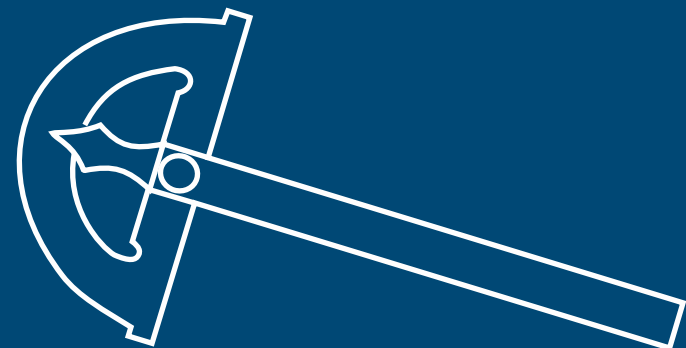


# ANGLE MEASURING

BORN IN ITALY, RAISED BY THE WORLD

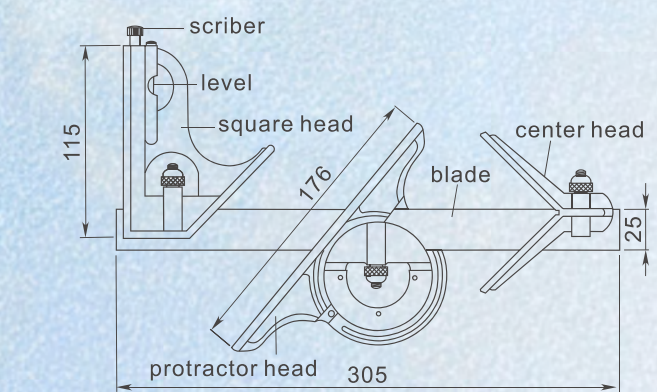


## 4 PCS COMBINATION SQUARE SET

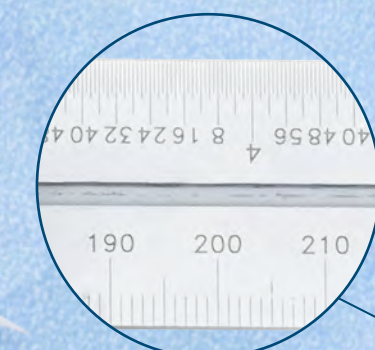
- Made by procoated mold and no blister on the surface

Unit:mm

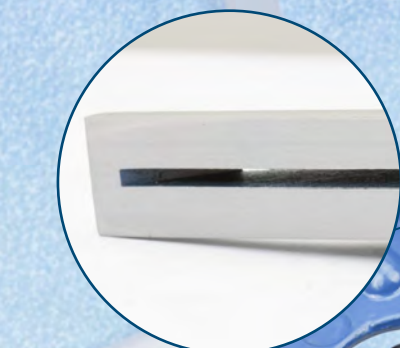
Code	Ruler	Graduation
1012-2010-A	300/12"	1.0/1/64" and 0.5/1/32"



- Distinct lines and figures against the satin chrome finish making reading easily



- Powder-coated process guaranteeing high surface durability



- Low surface roughness and high accuracy with surfaces precisely ground

- Strong and elegant packing





## 4PCS COMBINATION DIGITAL SQUARE SET

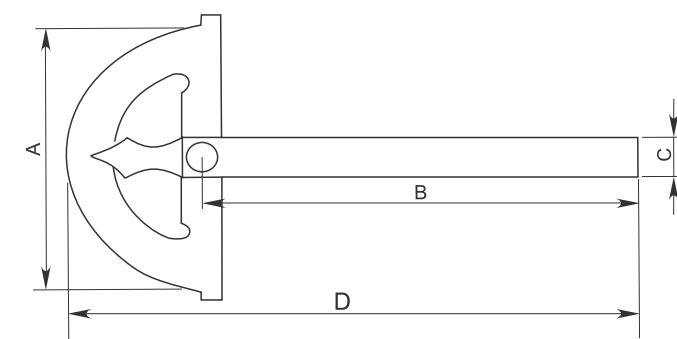


- Higher accuracy with digital protractor newly applied
- Made by procoated mold and no blister on the surface
- Distinct lines and figures against the satin chrome finish making reading easy
- Low surface roughness and high accuracy with surfaces precisely ground

Unit:mm

Code	Ruler	Graduation	Accuracy
1012-0010	300/12"	1.0/1/64" and 0.5/1/32"	±10'within0.15°

## PROTRACTOR

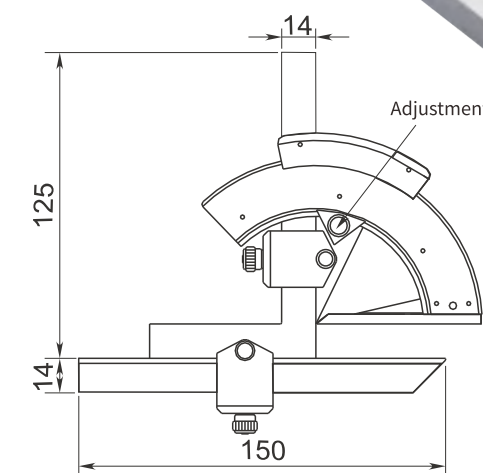
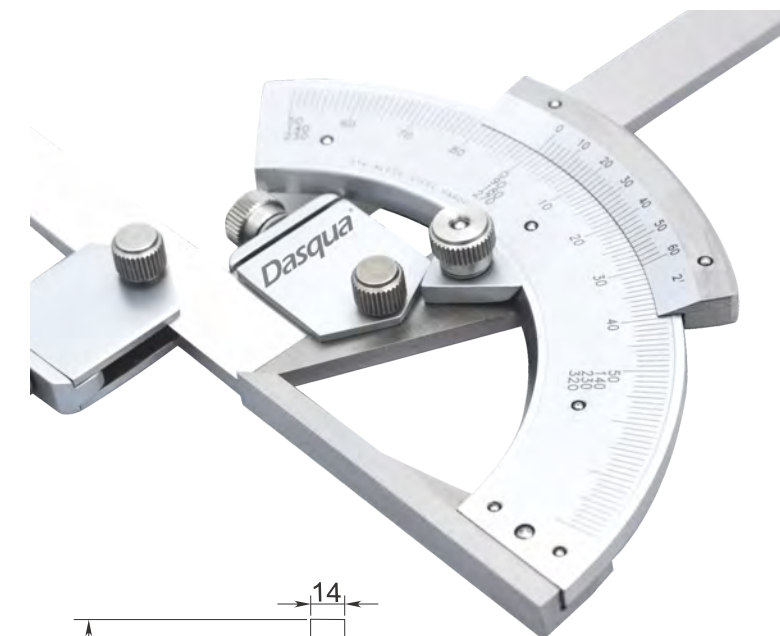


- Made of stainless steel
- Satin chrome finish, anti-rust and durable
- Locking knob can hold any angle
- Multi-purpose, engineering drawing, angle measurement, architectural design, woodworking, length measurement, etc
- Packaged in a beautiful and durable leather bag

Unit:mm

Code	Range	Graduation	Size(AxB)	D	C	Accuracy	Type
1011-1005	0-180°	1°	85x150	199	15	±30'	Solid Head
1012-1005	0-180°	1°	80x120	168	11	±30'	Open Head
1012-1010	0-180°	1°	120x150	220	14	±30'	Open Head
1012-1020	0-180°	1°	150x200	285	16	±30'	Open Head
1012-1030	0-180°	1°	200x300	413	20	±30'	Open Head
1012-1035	0-180°	1°	300x500	665.5	31.5	±30'	Open Head

## UNIVERSAL PROTRACTOR

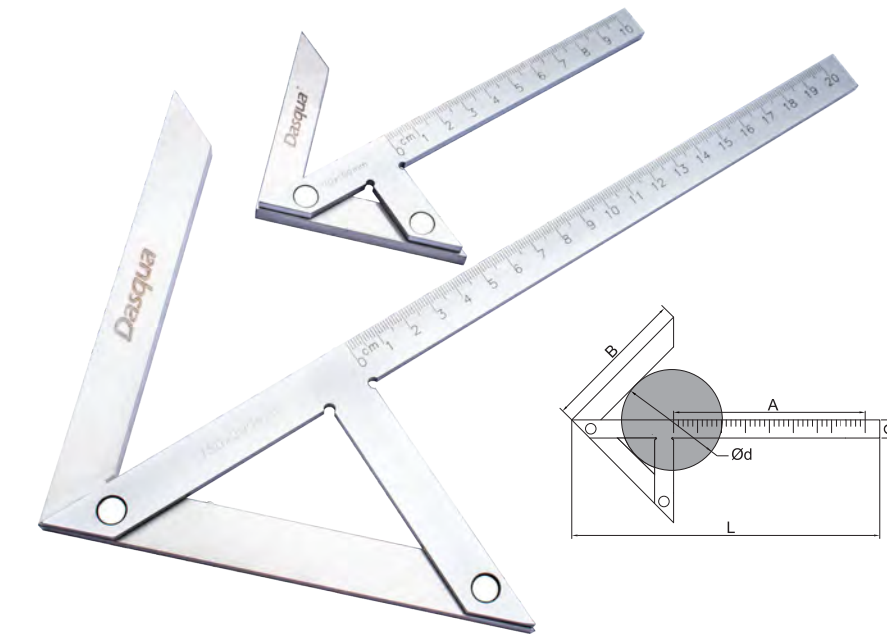


- Made of stainless steel
- With fine adjustment
- Measuring surface hardened, ground and lapped ensures smooth movement
- Satin chrome finish, anti-rust and durable

Unit:mm

Code	Range	Graduation	Accuracy
1012-2005	0-320°	2'	±2'

## CENTERING SQUARE GAUGE



- Center Square Gauge
- For marking centers on round discs and shafts
- Stainless steel material
- Scale in matt chrome finish

Unit:mm

Code	Size(AxB)	Error Range	Max Shaft Diameter	Scale Bar	Bar Cross Section
1012-3005	100 × 70	0.3	90	100	12x4
1012-3010	150 × 130	0.3	190	150	15x4
1012-3015	200 × 150	0.3	220	200	15x4
1012-3020	300 × 180	0.3	280	300	20x5