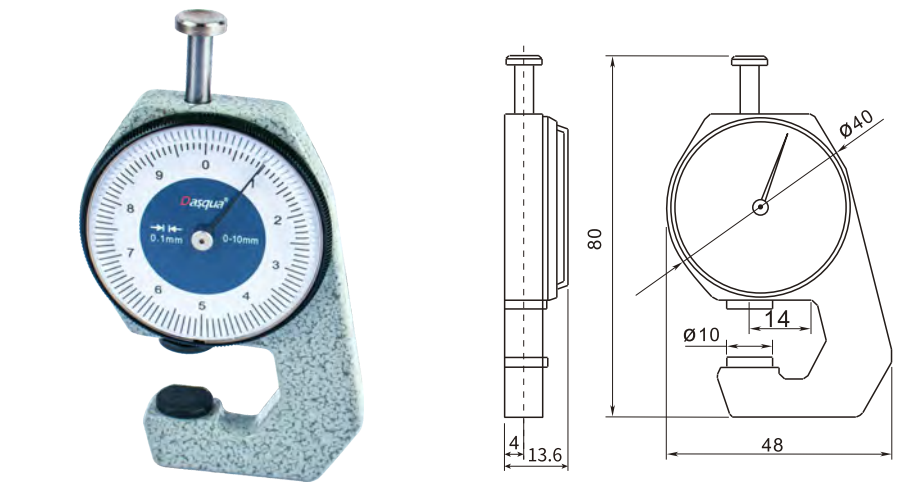


THICKNESS GAUGE

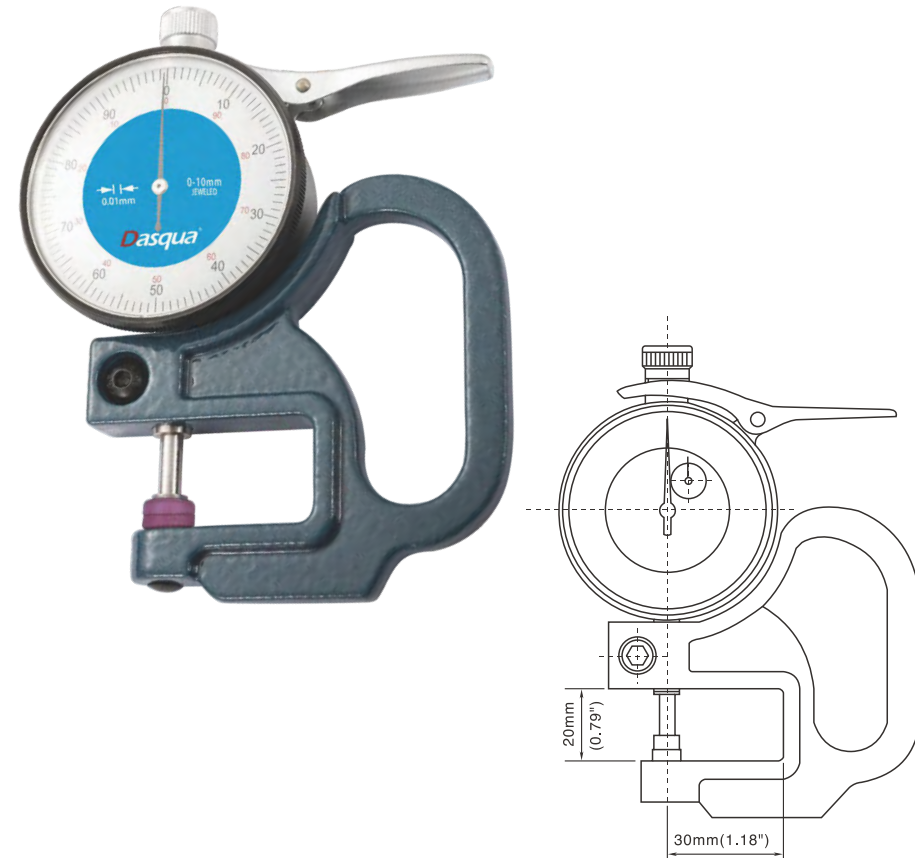


- Thickness gauges are attachment to the dial indicators and offer a quick and efficient means with a convenient grip handle to measure the thickness of paper, leather, rubber, fabric, metal plate, glass, plastic plate, etc
- With steel or ceramic measuring faces
- Sturdy light metal frame, lacquered, with spindle lifting lever
- Stainless spindle, hardened and precision ground

Unit:mm

Code	Range	Graduation	Accuracy
5841-8110	0-10	0.1	±0.05

THICKNESS GAUGE



• 5841-8105

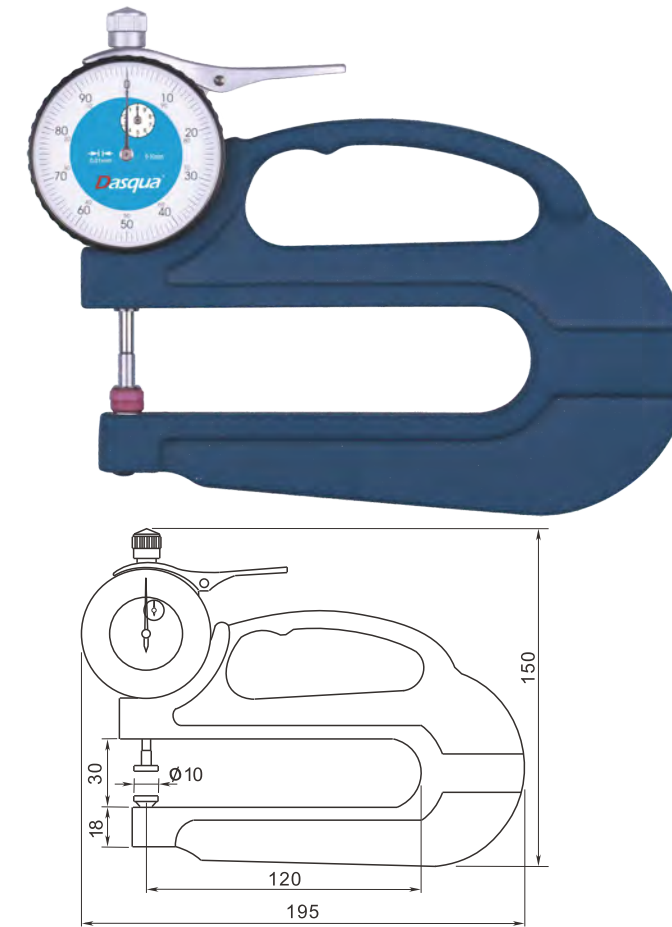
- Thickness gauges are attachment to the dial indicators and offer a quick and efficient means with a convenient grip handle to measure the thickness of paper, leather, rubber, fabric, metal plate, glass, plastic plate, etc
- With ceramic measuring faces
- Sturdy light metal frame, lacquered, with spindle lifting lever
- Stainless spindle, hardened and precision ground

Unit:mm

Code	Range	Graduation	Accuracy
5841-8105	0-10	0.01	±0.02
5841-8106	0-30	0.01	±0.035
5842-4105	0-0.5"	0.0005"	±0.001"

THICKNESS GAUGE

WITH DEEP-THROAT



- Contact point and the flat anvil are ceramic for corrosion resistance
- 120mm throat for measuring the thickness of items where a greater depth is required
- Grip handle, thumb trigger, and spring-loaded spindle for accurate measurements
- Provide quick and efficient inspection of thickness

Unit:mm

Code	Range	Graduation	Accuracy
5841-1105	0-10	0.01	±0.02
5841-1110	0-20	0.01	±0.03
5842-4110	0-0.5"	0.0005"	±0.001"

DIGITAL THICKNESS GAUGE

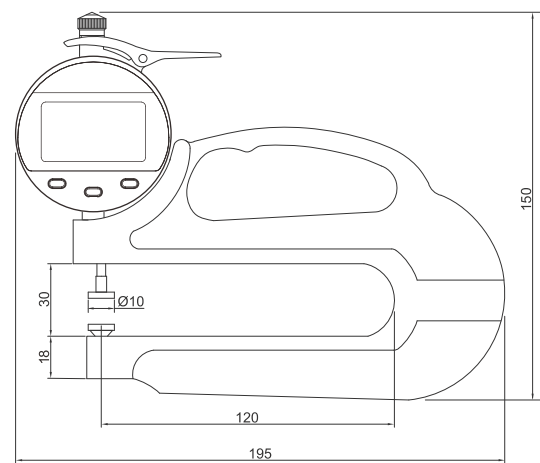


- Thickness gauges are attachment to the dial indicators and offer a quick and efficient means with a convenient grip handle to measure the thickness of paper, leather, rubber, fabric, metal plate, glass, plastic plate, etc
- With large LCD Screen and provide error-free reading
- With ceramic measuring faces
- With convenient grip handle, thumb trigger and spring-loaded spindle for accurate measurements

Unit:mm

Code	Range	Resolution	Accuracy
5840-6200	0-10/0-0.4"	0.01/0.0005"	±0.02

DIGITAL THICKNESS GAUGE WITH DEEP-THROAT



- 120mm throat for measuring the thickness of items where a greater depth is required
- Grip handle, thumb trigger, and spring-loaded spindle for accurate measurements
- Provide quick and efficient inspection of thickness
- With large LCD Screen and provide error-free reading

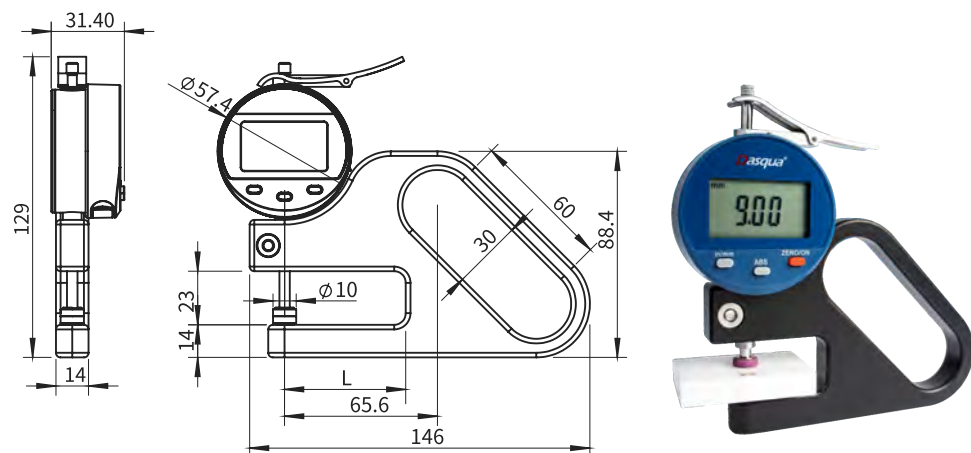
Unit:mm

Code	Range	Resolution	Accuracy
5840-6205	0-10/0.4"	0.01/0.0005"	±0.02

DIGITAL THICKNESS GAUGE WITH BLACK HANDLE



Contact point and the flat anvil are ceramic for corrosion resistance

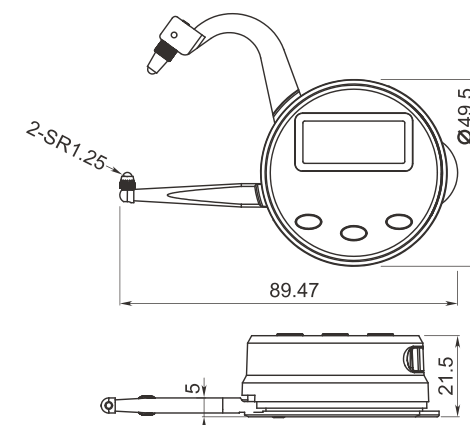


- Contact point and the flat anvil are ceramic for corrosion resistance
- Handle with anodization for longer service life
- Grip handle, thumb trigger, and spring-loaded spindle for accurate measurements
- Provide quick and efficient inspection of thickness
- With large LCD Screen and provide error-free reading

Unit:mm

Code	Range	Resolution	L	Accuracy
5840-6215	0-10/0.4"	0.01/0.0005"	30	±0.02
5840-6220	0-10/0.4"	0.01/0.0005"	50	±0.02
5840-6225	0-10/0.4"	0.01/0.0005"	100	±0.02
5840-6230	0-10/0.4"	0.01/0.0005"	120	±0.02

DIGITAL THICKNESS GAUGE

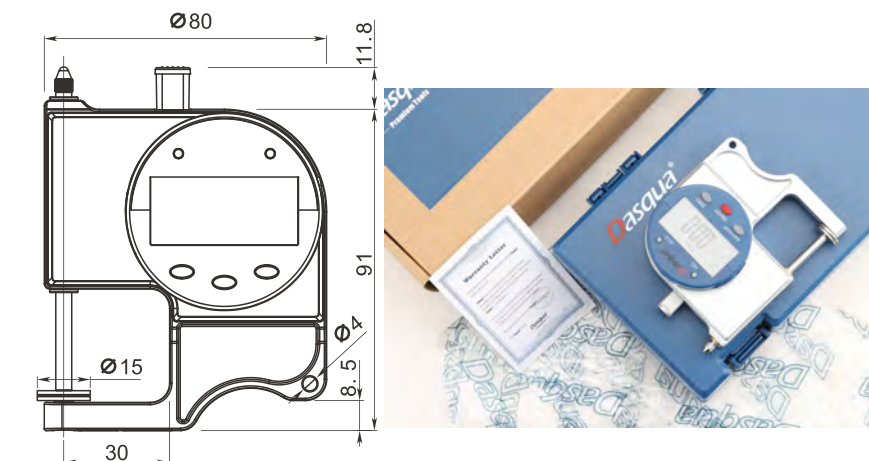


- Large LCD display for easy and clear reading
- Spring loaded travel
- The compact size and lightweight ensure it is very convenient, handy and easy to operate
- Data hold function
- Class A for electrostatic discharge

Unit:mm

Code	Range	Resolution	Accuracy
2140-8105	0-25/0-1"	0.01/0.0005"/1/64"	0.05/0.002"

DIGITAL THICKNESS GAUGE



- Spring load movement with a push button
- Large LCD display for easy and clear readings
- Thickness measurement of different materials
- Data hold function

Unit:mm

Code	Range	Resolution	Accuracy
2140-8110	0-25/0-1"	0.01/0.0005"/1/64"	0.05/0.002"